

NCi-211

2MP Indoor Compact designed Dome, Vari-focal Lens, DWDR



Main Features

- Full HD 1080P @30fps
- Varifocal lens 3-10 mm, F1.3
- Digital WDR
- Compact Design
- Support 0°C~60°C / 32°F~140°F

ONVIF



Product Overview

NEXCOM introduces new mini indoor dome IP camera offering outstanding 2MP image quality including support for vari-focal function. NCI-211 IP Camera, available in indoor using scenario, are suitable for building/small shop surveillance solution, Digital WDR can overcome variation light condition continued to provide crystal clear image output. It makes IP camera ideal for small medium business applications.

1080P @ 30 fps

NexCam supports high-performance H.264/MJPEG compression technology and offers extra smooth video at up to 30fps in 1080p. Furthermore, Video ROI [Region Of Interest] function reduce bandwidth and storage requirement, providing users with the best option in bandwidth flexibility and storage efficiency.

RICH I/O

NexCam's Rich I/O allows the users to have the advantages when connecting essential external devices such as strobe light, audio jack, micro SD card slot, DC 12V & AC 24V in order to achieve the best performance for any critical environments. It also allows the users to use Digital Input and Digital Output for the applications such alarm system.

Digital WDR

Digital Wide Dynamic Range is a feature in NCI-211 IP camera that incorporates techniques for handling a wide range of lighting conditions in a scene which with extremely bright and dark areas, a typical camera would produce an image where objects in the dark areas would hardly be visible. digital Wide Dynamic Range solves this by applying techniques such as using different exposures for different objects in a scene to enable objects in both bright and dark areas to be visible

Compact Design

NexCam is available in a compact design with stylish, low profile, and discreet housing. It's ideal for residential, office, mall, and store used and of course not limited to. It's indeed a space-saving design that would be perfect for getting an excellent overview for any indoor scene.



Conventional



NEXCOM

Specifications

Camera General Information

Image Sensor	1/3" progressive scan CMOS sensor
Minimum Illumination	B/W 0.01 lux/Color 0.1 lux
Lens	varifocal (3-10mm, F1.3)
Iris Type	DC-iris
Day and Night	YES (digital D/N)
IR Distance	N/A
IR Wavelength	N/A
IR Control	N/A
ICR	N/A
WDR	YES (DWDR)
Image Enhance	Brightness, Contrast, Saturation, Sharpness, Backlight compensation, Mirror, Flip, Day/Night, Anti-flicker

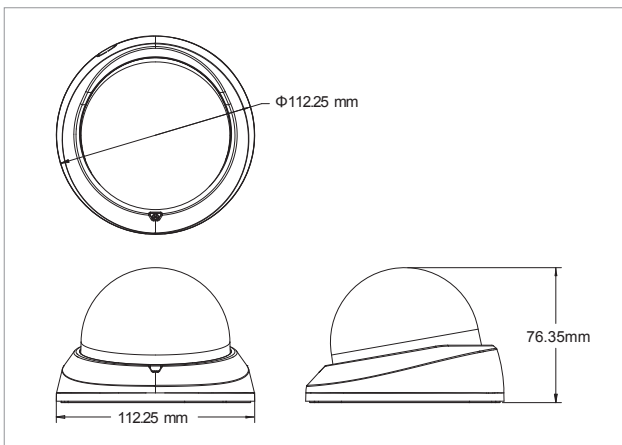
Video

Video Compression	H.264/M-JPEG
Video Streaming	Triple streaming H.264 Stream 1/H.264 Stream2/MJPEG Stream 3
Video Resolution	1920x1080 to 320x240
Video Quality	VBR/CBR
Frame Rate	1920x1080 @30 fps 1280x720 @30 fps 720x576 @30 fps 720x480 @30 fps 640x480 @30 fps 320x240 @30 fps

Audio

Audio Streaming	N/A
Audio Compression	N/A
Audio Input	N/A
Audio Output	N/A

Dimension Drawing



Network

Interface	10/100/1000 Mbps Ethernet, RJ-45
Supported Protocols	HTTP, TCP/IP, UDP, RTP, RTSP, FTP, SMTP, DHCP, DNS, DDNS, NTP, uPnP, ONVIF ,IPv4/v6
Security	Multi-level passwords /HTTP encryption

I/O Connector

Audio in/ out Port	N/A
D I/O	Dlx1,DOx1
RS485	N/A
Micro SD Card Slot	YES
RJ45	YES

Event Management

Event trigger	Motion detection , DI
Notifications	Trigger alarm output, email/ FTP and record video to PC or SD card
Post Recording	YES
Pre Recording	YES

Power

DC/AC	DC12V terminal block
POE	YES/IEEE 802.3af

General

Power Consumption	6 W max.
Weight	280g
Dimension	Φ 112.25mm X 76.35mm (H)
Operating Temp.	0°C~60°C / 32°F~140°F
Humidity	90% RH (no condensation)
Certification	CE/FCC
Vandal Resistant	N/A
Weather Proof	N/A
Application	SDK available for application development

Packaging Information

NWT	280g
GWT	TBA
Dimension	TBA

Ordering Information

- ◆ NCI-211 (10HI0021100X0)