

ISE2005D Series Unmanaged Industrial Ethernet Switch



Key Features:

- ☑ IP40 protection class, fully enclosed type metal cabinet
- ☑ Passed industrial class III EMC test
- ☑ Wide temperature range design, with working temperature at $-40\sim+85\text{ }^{\circ}\text{C}$
- ☑ Wide voltage range design, $2\times 24\text{VDC}$ ($12\sim 48\text{VDC}$)
- ☑ Provided with dip switch, capable of enabling/disabling broadcast storm control and port flow control and with relay alarm function
- ☑ Support relay alarm output
- ☑ DIN- rail or wall mounting optional

Product Overview

ISE2005D series products are of 5 ports DIN-rail Unmanaged Industrial Ethernet Switch, especially designed for applications in the field of electric power, transportation, and industrial control and in other severe industrial environment. It integrates high-standard wide-range temperature and voltage design, enterprise-class link-speed forwarding performance, strong cabinet, protected industrial circuit and other industrial features, is capable of plug and play, and can satisfy reliability requirement under harsh industrial environment.

Product Features

☞ Strong and reliable industrial quality

- Fault-free and reliable operation under electric power station, transportation and industrial control environment
- Excellent electromagnetic/radiation/electrostatic protection capacity and zero packet loss under intensive electromagnetic interference

- ☑ Excellent EMC/EMI and anti-radiation performance
- ☑ Real industrial-class design, with working temperature at -40~85 °C
- ☑ Redundant power input and industrial-class surge protection
- ☑ Strong metal cabinet with corrosion-proof coating
- ☑ Provided with IP40 seal protection, and dust proof, stain proof and debris proof

➔ **Simple and easy to use**

- Provided with plug-and-play function for rapid deployment
 - Provided with linear data forwarding to ensure real time performance
- ☑ Support industrial DIN guide rail installation mode, optional wall-mounting kit available, satisfying requirement for deployment at different conditions and environment
 - ☑ Support enabling/disabling of broadcast storm protection via hardware dip switch, flow control and port connection interruption alarm; simple and easy to use.
 - ☑ Provided with 1 route of alarm output interface to facilitate identification of potential trouble in a timely manner and to ensure sustainability of business data
 - ☑ Support IEEE 802.3x flow control and backpressure type flow control to guarantee data integrity
 - ☑ Forwarding inherent time delay <3μs, satisfying real time performance requirement of industrial production data

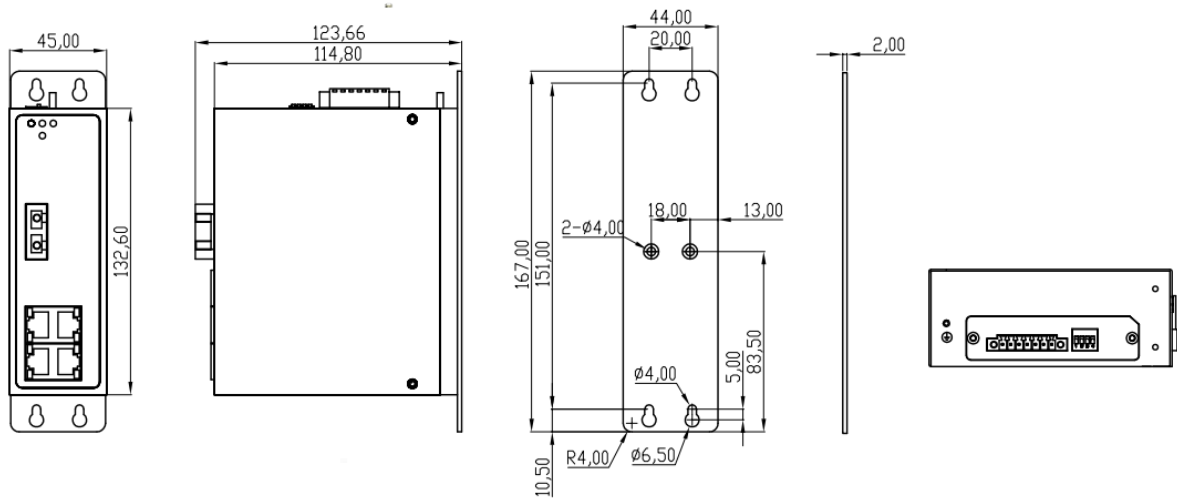
Product Specification

Item		ISE2005D
Interface	RJ45 port	10/100Base-T(X) self-adaptive RJ45 port,
	FX fiber port	100Base-FX port (SC/ST/FC port)
	LED indication l	PWR1,PWR2,STAT,FAULT, FX (fiber port))
Mechanical structure	Housing	IP40 protection class, fully enclosed and seamless type metal cabinet, PCB protection coating available
	Dimensions (W×H×D)	45mm × 132.6mm × 112mm
	Weight	0.6 kg
	Heat dissipation mode	Fanless heat dissipation
	Installation mode	DIN- rail and wall mounting (kit optional)
	MTBF	35 years
Power source	Input voltage	24VDC (12~48VDC) , Support redundant input
	Interface terminal	7-pin pluggable screw connection terminal
	Overload	Available

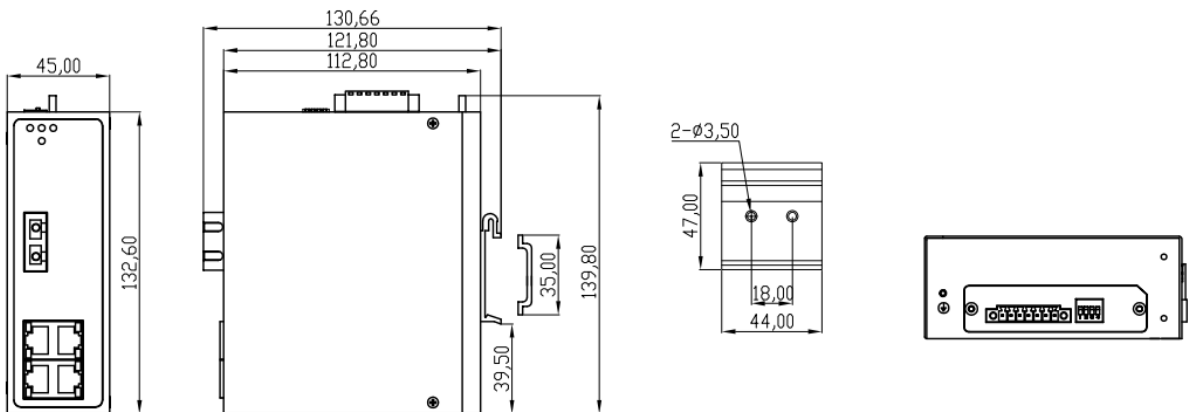
Item		ISE2005D
	protection	
	Reverse polarity protection	Available
	Power consumption	<3.7W
Working environment	Working temperature	-40 ~ +85 °C
	Storage temperature	-40 ~ +85 °C
	Relative humidity	5%~95% (free of condensation)
Switching performance	Forwarding inherent time delay	<4 μs
	Backplane bandwidth	1Gbps
	MAC address table	8k
	Data package buffer	1Mbit
Function features	Ethernet standard	IEEE 802.3 for 10Base-T
		IEEE 802.3u for 100Base-T(X)and 100Base-FX
		IEEE 802.3x for flow control
	Port flow control	Support IEEE 802.3 x flow control and backpressure type flow control, capable of enabling/disabling flow control via dip switch
	Relay alarm output	Rated control capacity: 2A@30V DC
		Maximum allowable power: 60W
		Maximum allowable voltage: 220V DC
Dip switch	Maximum allowable current: 2A DC	
	Support enabling/disabling of broadcast storm protection via hardware dip switch, flow control and port connection interruption alarm;	
Industrial standard	Electromagnetic compatibility	IEC 61000-4-2 (Electrostatic discharge) class 3
		IEC 61000-4-3 (Radiated, radio-frequency, electromagnetic field) class 3
		IEC 61000-4-4 (Electrical fast transient/burs) class 3
		IEC 61000-4-5 (surge) class 3

Item		ISE2005D
		IEC 61000-4-6 (Immunity to conducted disturbances, induced by radio-frequency fields) class 3
		IEC 61000-4-8 (Power frequency magnetic field) class 4
	Impact	IEC60068-2-27
	Freefall	IEC60068-2-32
	Vibration	IEC60068-2-6
Warranty period	Warranty period	5 years

Dimensions



Wall mounting diagram



DIN-rail mounting diagram

Ordering Information

Product Type	Port			
	10/100 Base-T(X)	100BaseFX Port (SC/ST/FC)		
		Multimode fiber	Single mode dual fiber	Single mode single fiber
ISE2005D-5T-24	5	-	-	-
ISE2005D-4T-M-24	4	1	-	-
ISE2005D-4T-S-24	4	-	1	-
ISE2005D-4T-B-24	4	-	-	1

Note:

- Multimode fiber supports 0.5km; single mode dual fiber support 20/40/80/120KM;
Single mode single fiber supports 0.5/20/40/60/80/120KM
- Power supply default is DC24V low-voltage

Beijing InHand Networks Technology Co., Ltd.

Beijing InHand Networks Technology Co., Ltd focuses its energy upon development of equipment network (M2M) technology and products, for the purpose of providing safe, reliable, intelligent and advanced network equipment for customers in the fields of electric power, industrial control, finance, medical and other industries. Industrial-class products and equipment monitoring software platforms developed by InHand have been used by a number of well-known big customers, and have stood the test of large-scale field applications for a long time.

InHand hopes to contribute her efforts to the transition process of Chinese manufacturing industry to high value-added products through constant innovation of equipment network solutions.

Many well-known commercial organizations at home and abroad have confirmed development and achievement of InHand. InHand has been awarded the honor of Top-50 High-tech Development Enterprise consecutively by Deloitte (China) since 2007 and was awarded Top-200 Innovative Enterprise in Asia and Top-100 Innovative Enterprise in Asia in 2007 and 2008 respectively by the famous business media “Red Herring” of USA.



Beijing InHand Networks Technology Co., Ltd.

Address:

Southwest Side of 11/F, Qiming International Mansion, No.101

Lize Zhongyuan Garden, Chaoyang District, Beijing City

Tel:+86 010 6439 1099

Fax:+86 010 8417 0089

Website: www.inhandnetworks.com